

S8

ROTATORS

Hydraulic rotators are used for sideward emptying in all areas of industry.

The continuous rotation range is 360°. The attachment is driven by means of a worm gear with three to five teeth being constantly in mesh. This results in low strain on the teeth and quiet running of the gear.

On the fork carriage, which is mounted to the front of the attachment, forks can be manually adjusted and locked. The large opening in the center provides excellent visibility at the forks.

In addition, there is the option to equip the attachment with a separate sideshift. For the foundry version we recommend bolt-on forks.

In addition to the foundry version we also offer special designs tailored to your particular application.



Rotators 360°

Hydraulic rotators are used for sideward emptying in all areas of industry. The continuous rotation range is 360°.

stabau rotators excel due to the following features:

The attachment is driven by means of a worm gear with three to five teeth being constantly in mesh. The worm gear shaft is made of hardened steel and the worm wheel is made of bronze. This results in low strain on the teeth and quiet running of the gear.

When standing still the worm gear is self-inhibiting.

The rotary joint and the worm wheel are individual components, which, in the case of service, can be replaced independently of each other.

A load stop valve is included serially. This valve generates a counter pressure to the drawing loads in order to prevent spinning. Thus the rotation process is controllable even with unfavorable loads.

The attachment is provided with a central greasing point for the lubrication of the rotary joint.

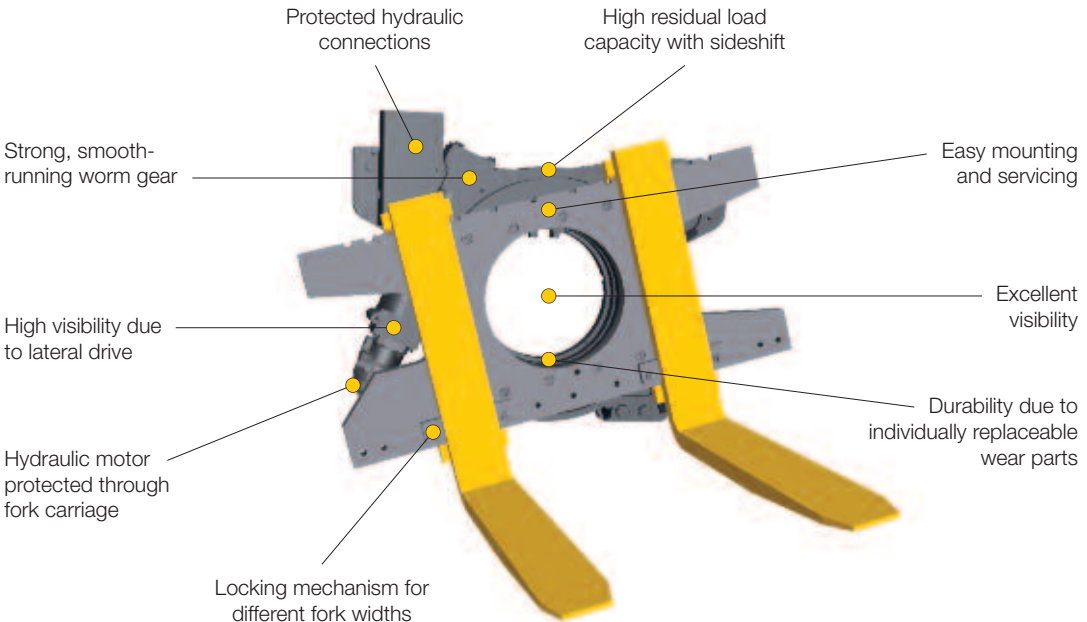
The drive system is self-contained and thus dustproof.

The attachment with separate sideshift is designed in such a manner that the loss in load capacity is kept extremely low.

For the use of hook-type forks we recommend reinforced lower hooks. The forks can be adjusted to any position on the fork carriage. They are secured by means of eccentrically drilled stop blocks, which are screwed to the boreholes in the lower carriage bar.

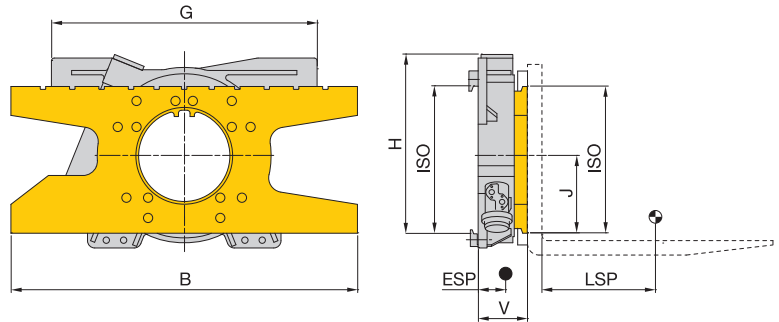
The rotator is designed for optimal visibility. The construction has been adapted to the requirements of ISO classes. The tunnel for the worm gear shaft is located on the side of the attachment and thus offers optimal visibility over the rotator and an extremely high residual load capacity. The big, centered opening provides the driver with maximum visibility and thus enhances secure handling of his load.

For easy mounting, the clamping hooks are serially bolted on from the front.



Rotators 360°

1 hydraulic function



Model	Load capacity	LC (LSP)	ISO	B	G	J	H	Torque at $\Delta p = 140$ bar	Required oil volume per revolution	V	CoG (ESP)	Weight	Add. weight per 100 mm width of fork carriage	Price	Surcharge per 100 mm width of fork carriage
S 8 - DE 18	1800	500	2	1000	900	225	500	6300	5,5	150	72	260	6,3	6,850.-	65.-
S 8 - DE 25	2500	600	2	1000	900	225	500	6900	7,0	155	75	270	6,3	7,130.-	65.-
S 8 - DE 28	2800	500	3	1100	1080	270	610	7300	7,5	165	82	340	9,2	7,470.-	75.-
S 8 - DE 35	3500	500	3	1100	1080	270	610	8500	9,0	170	85	350	9,2	8,190.-	80.-
S 8 - DE 45	4500	600	3	1200	1080	270	610	11500	14,0	180	90	400	11,0	9,545.-	90.-
S 8 - DE 50	5000	600	4	1300	1220	325	760	11500	15,5	190	95	660	15,3	12,265.-	120.-
S 8 - DE 60	6000	600	4	1400	1220	325	760	14600	17,0	195	100	695	15,3	13,640.-	125.-
S 8 - DE 80	8000	600	4	1400	1200	380	910	19200	21,0	220	115	840	16,8	22,735.-	135.-
S 8 - DE 100	10000	600	4	1500	1200	380	910	21700	23,0	225	120	880	16,8	25,305.-	145.-
S 8 - DE 120	12000	600	Pint.	1500	1320	535	1180	27600	32,0	245	135	1440	35,0	On request	On request
S 8 - DE 160	16000	600	Pint.	1600	1320	535	1180	37500	40,0	255	145	1530	42,0	On request	On request
S 8 - DE 200	20000	600	Pint.	1800	1500	640	1380	51000	55,0	285	165	2250	55,0	On request	On request

- We recommend forks with reinforced lower hooks, see page 15.

- Surcharge for foundry version see page 63.

- Surcharge for bolt-on forks on request.

- Surcharge for fish-industry version on request.

- Surcharge for integral design, see page 195.

- Surcharge for rotary oil feedthrough on request.

- Weighing system as optional feature.

Standard values for residual load capacity of lift trucks**

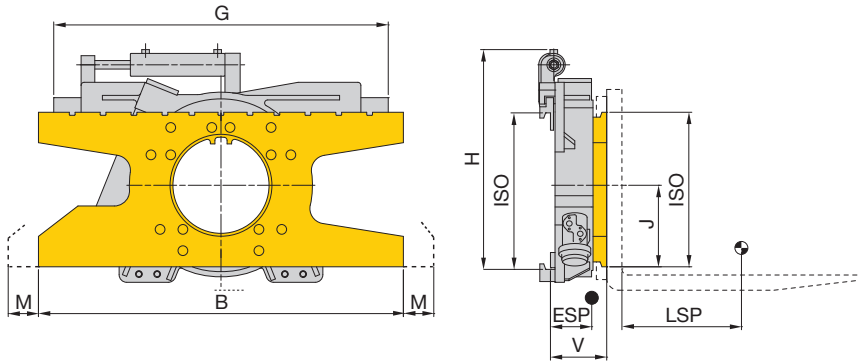
Rotators	S 8 -	DE 18	DE 18	DE 25	DE 28	DE 35	DE 35	DE 45	DE 45	DE 45/50	DE 50	DE 60	DE 80	DE 100	DE 120
Load capacity lift truck	kg	1500	2000	2500	3000	3500	4000	4500	5000/500	5000	6000	7000	8000	10000	12000
X*	mm	350	450	450	450	500	500	500	500	560	560	650	650	750	800
LC (LSP) = 500 mm	kg	1170	1600	2020	2400	2820	3250	3620	4030						
LC (LSP) = 600 mm	kg	1060	1470	1850	2200	2600	3000	3340	3720	3980	4840	5700	6370	8070	9400
LC (LSP) = 700 mm	kg	980	1360	1710	2030	2410	2770	3100	3450	3700	4500	5320	5960	7580	8860

** The load capacity applies to lifting heights up to 3300 mm; specifications for greater lifting heights on request.

* Assumed dimensions

Rotators 360° with Sideshift

2 hydraulic functions



88

Model	Load capacity	LC (LSP)	ISO	B	G	M	J	H	Torque at $\Delta\rho = 140$ bar	Required of volume per revolution	V	CoG (ESP)	Weight	Add. weight per 100 mm width of fork carriage	Price	Surcharge per 100 mm width of fork carriage
S 8 - DE 18-S	1800	500	2	1000	1000	100	225	650	6300	5,5	165	78	295	6,3	8,530.-	65.-
S 8 - DE 25-S	2500	600	2	1000	1000	100	225	650	6900	7,0	170	80	305	6,3	8,810.-	65.-
S 8 - DE 28-S	2800	500	3	1100	1100	100	270	705	7300	7,5	180	88	380	9,2	9,495.-	75.-
S 8 - DE 35-S	3500	500	3	1100	1100	100	270	705	8500	9,0	185	90	390	9,2	10,220.-	80.-
S 8 - DE 45-S	4500	600	3	1200	1100	100	270	705	11500	14,0	195	95	440	11,0	11,645.-	90.-
S 8 - DE 50-S	5000	600	4	1300	1280	100	325	870	11500	15,5	205	100	730	15,3	14,525.-	120.-
S 8 - DE 60-S	6000	600	4	1400	1400	150	325	870	14600	17,0	210	105	770	15,3	16,475.-	125.-
S 8 - DE 80-S	8000	600	4	1400	1300	150	380	910	19200	21,0	300	165	1030	16,8	26,755.-	135.-

- We recommend forks with reinforced lower hooks, see page 15.
- Surcharge for foundry version see page 63.
- Surcharge for bolt-on forks on request.
- Surcharge for fish-industry version on request.

- Surcharge for integral design, see page 195.
- Surcharge for rotary oil feedthrough on request.
- Weighing system as optional feature.

Standard values for residual load capacity of lift trucks**

Rotators with Sideshift	S 8 -	DE 18-S	DE 18-S	DE 25-S	DE 28-S	DE 35-S	DE 35-S	DE 45-S	DE 45-S	DE 45/50-S	DE 50-S	DE 60-S	DE 80-S
Load capacity lift truck	kg	1500	2000	2500	3000	3500	4000	4500	5000/500	5000	6000	7000	8000
X*	mm	350	450	450	450	500	500	500	500	560	560	650	650
LC (LSP) = 500 mm	kg	1140	1570	1980	2350	2760	3185	3550	3960				
LC (LSP) = 600 mm	kg	1040	1440	1820	2160	2550	2940	3280	3660	3900	4750	5600	5900
LC (LSP) = 700 mm	kg	950	1330	1680	2000	2360	2725	3040	3370	3630	4420	5230	5550

** The load capacity applies to lifting heights up to 3300 mm; specifications for greater lifting heights on request.

* Assumed dimensions

Rotators For Foundries

Surcharge for foundry version of rotators without sideshift		up to DE 45	up to DE 100
--	--	-------------	--------------

G1	Closed front plate, motor protection, valve protection, heat-protected hydraulic hoses, heat-resistant grease	€ 1,420.-	€ 2,155.-
G2	As foundry version G1, but with high-visibility protection tube	€ 1,775.-	€ 2,565.-
G3	As foundry version G1, plus splash guard with additional sealing, rear opening closed	€ 2,775.-	€ 3,655.-
G4	As foundry version G3, but with high-visibility protection tube	€ 3,130.-	€ 4,065.-

Surcharge for foundry version of rotators with sideshift		up to DE 45-S	up to DE 80-S
---	--	---------------	---------------

GS1	Closed front plate, motor protection, valve protection, heat-protected hydraulic hoses, heat-resistant grease, shaft-guided sideshift with bronze guides	€ 1,985.-	€ 2,710.-
GS2	As foundry version GS1, but with high-visibility protection tube	€ 2,345.-	€ 3,120.-
GS3	As foundry version GS1, plus splash guard with additional sealing, rear opening closed	€ 3,340.-	€ 4,235.-
GS4	As foundry version GS3, but with high-visibility protection tube	€ 3,700.-	€ 4,645.-



- Rotators with full protection (see photo) on request.
- Special designs on request.
- Bins with liquid metal must be secured during transportation. A locking device is not included in the foundry version. Available on request.



Rotator for foundries with full protection and converter handling arms



Rotator with sideshift for foundries and weighing system

Rotators with Lateral Support Arm

**Surcharge for lateral support arm;
manually adjustable and mountable
on either side**

For DE 18 to DE 25:

A: 500/600 mm, L: 1000 mm, H: 700 mm € 1,765.-

For DE 28 to DE 45:

A: 500/600 mm, L: 1000 mm, H: 805 mm € 2,175.-

Other dimensions on request.

**Surcharge for lateral support arm;
manually adjustable, foldable and mountable
on either side**

For DE 18 to DE 25:

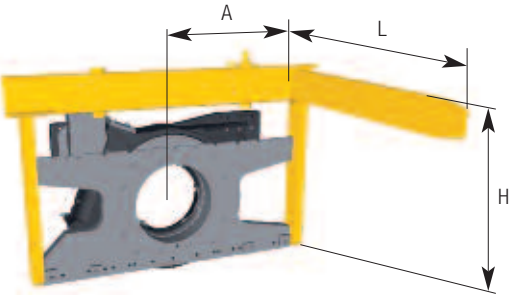
A: 500/600 mm, L: 1000 mm, H: 775 mm € 2,670.-

For DE 28 to DE 45:

A: 500/600 mm, L: 1000 mm, H: 805 mm € 3,090.-

Other dimensions on request.

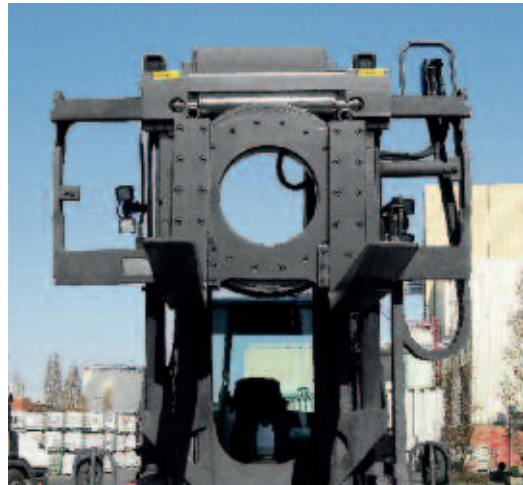
88



Rotator with lateral support arm; manually adjustable, foldable and mountable on either side



S 8-DE 18



S 8-DE 160 with bolt-on forks