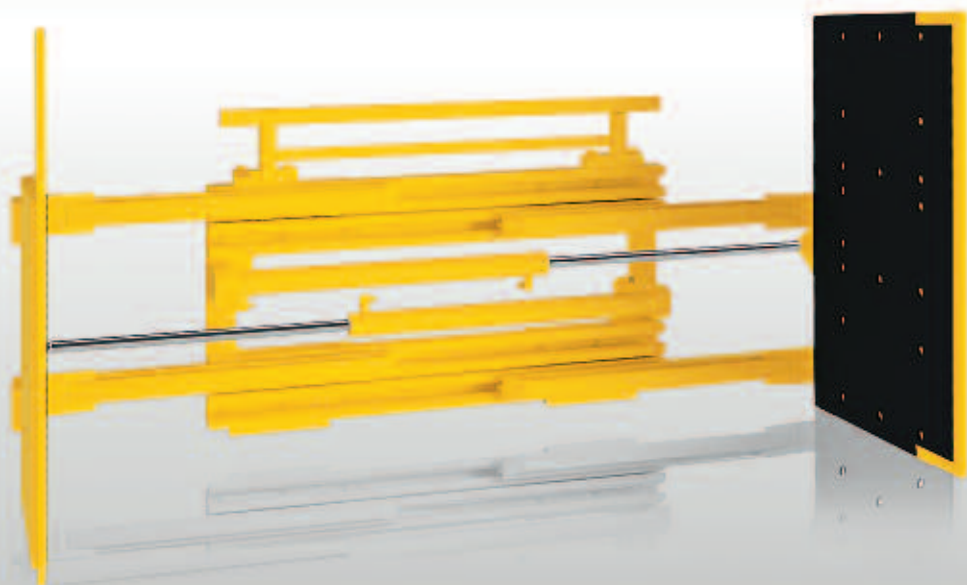


CARTON CLAMPS APPLIANCE CLAMPS

S16

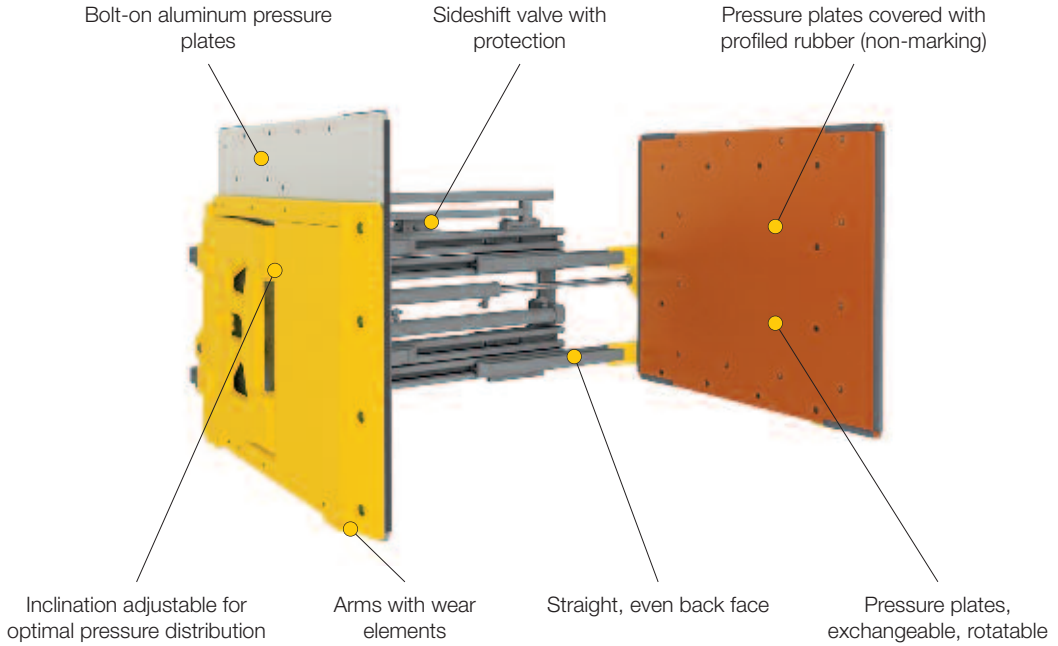
Carton and appliance clamps are used for the palletless handling of pressure-sensitive electrical household appliances and consumer electronic equipment at manufacturing plants and in warehouses.

Depending on the application the arms are rigid, single articulating or double articulating. Interchangeable and rotatable pressure plates ensure uniform wear of the rubber coating. The straight and edge-free front of the attachment body allows damage-free handling of goods. The position of the appliance clamp's pressure plates towards the clamp arm can be adjusted to achieve optimal pressure distribution on the goods.



S16

Appliance Clamps S 16-GK



S16

Appliance clamp GK-FE (from page 146)

One arm rigid, one arm single articulating



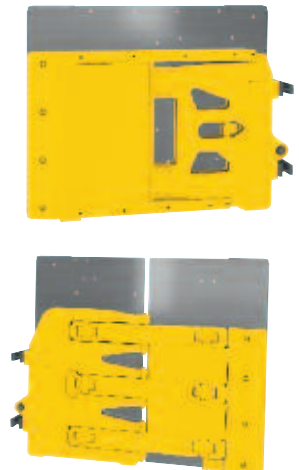
Appliance clamp GK-EE (from page 148)

Both arms single articulating

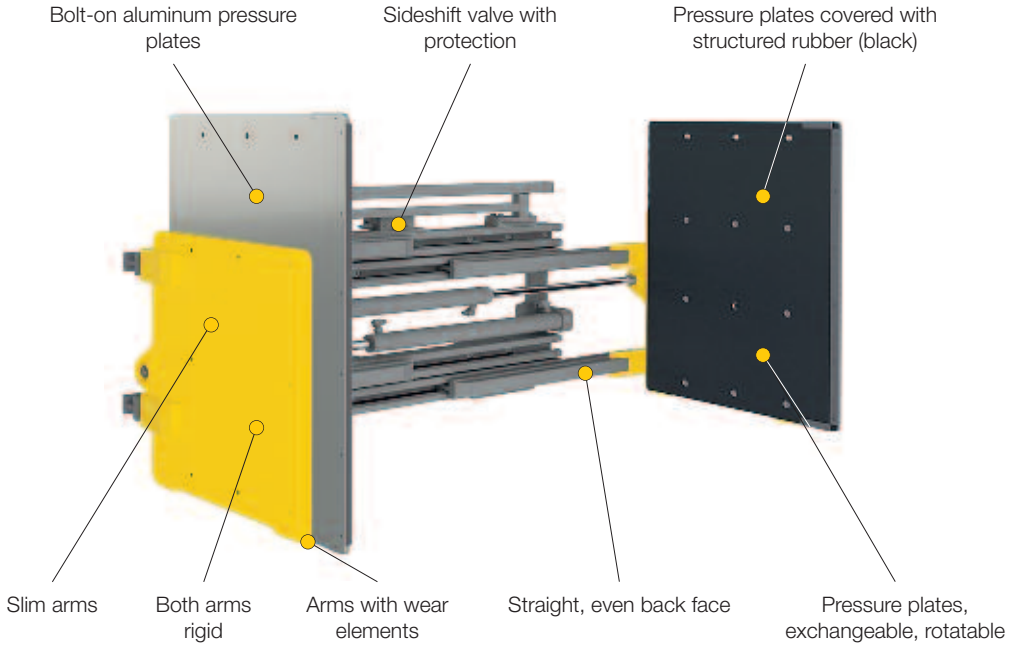


Appliance clamp GK-ED (from page 150)

One arm single articulating, one arm double articulating with split pressure plate



Carton Clamps S 16-KK



Back face



Wear elements



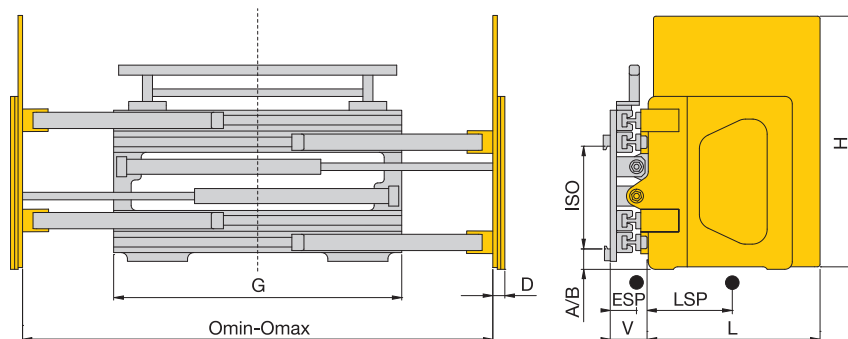
Edge protection



Measuring device

Carton Clamps with Sideshift Valve

2 hydraulic functions



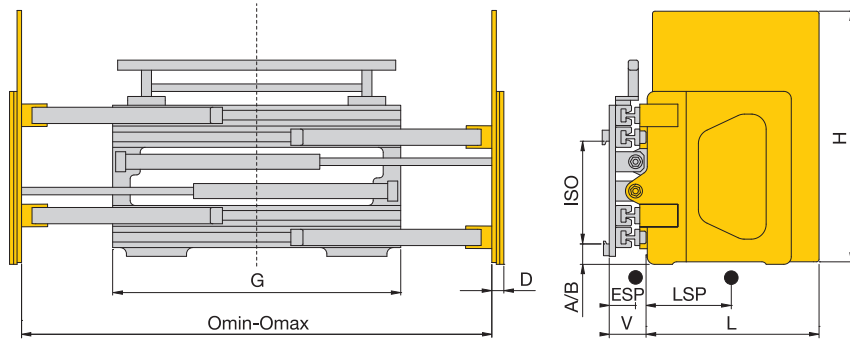
Both arms rigid · Pressure plates bolted on

Model	Load capacity	LC (LSP)	ISO	Omin-Omax	G	L	H	D	V	CoG (ESP)	Weight	Price
												kg
S 16 - KK 08-SV	800	500	2	390-1390	950	690	800	48	147	180	440	10,360.-
				440-1500	950	690	800	48	147	180	440	10,470.-
				540-1700	950	690	800	48	147	180	440	10,580.-
S 16 - KK 08-SV	800	500	2	390-1450	1000	690	800	48	147	180	445	10,510.-
				440-1540	1000	690	800	48	147	180	445	10,620.-
				540-1740	1000	690	800	48	147	180	445	10,730.-
S 16 - KK 08-SV	800	500	2	390-1490	1050	690	800	48	147	175	450	10,620.-
				440-1600	1050	690	800	48	147	175	450	10,730.-
				540-1800	1050	690	800	48	147	175	450	10,840.-
S 16 - KK 08-SV	800	500	2	390-1390	950	1200	1000	48	147	315	545	11,810.-
				440-1500	950	1200	1000	48	147	315	545	11,920.-
				540-1700	950	1200	1000	48	147	315	545	12,030.-
S 16 - KK 08-SV	800	500	2	390-1450	1000	1200	1000	48	147	315	550	11,960.-
				440-1540	1000	1200	1000	48	147	315	550	12,070.-
				540-1740	1000	1200	1000	48	147	315	550	12,180.-
S 16 - KK 08-SV	800	500	2	390-1490	1050	1200	1000	48	147	310	555	12,070.-
				440-1600	1050	1200	1000	48	147	310	555	12,180.-
				540-1800	1050	1200	1000	48	147	310	555	12,290.-
S 16 - KK 15-SV	1500	500	2	390-1490	1050	690	1000	48	147	185	460	11,170.-
				440-1600	1050	690	1000	48	147	185	460	11,280.-
				540-1800	1050	690	1000	48	147	185	460	11,390.-
S 16 - KK 15-SV	1500	500	2	390-1550	1100	690	1000	48	147	180	465	11,280.-
				440-1640	1100	690	1000	48	147	180	465	11,390.-
				540-1840	1100	690	1000	48	147	180	465	11,500.-

S16

Carton Clamps with Sideshift Valve

2 hydraulic functions



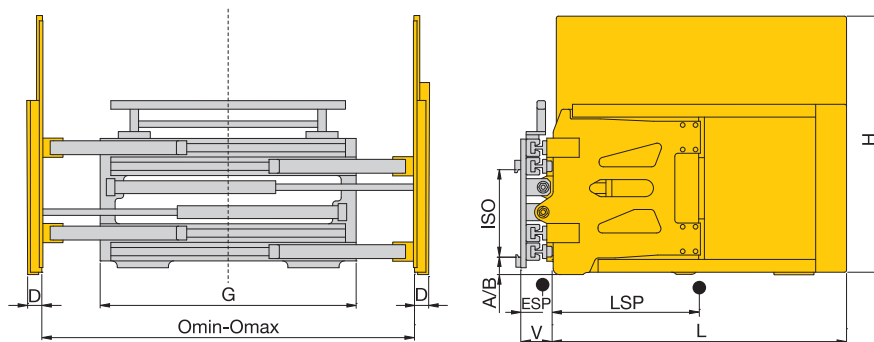
Both arms rigid · Pressure plates bolted on

Model	Load capacity	LC (LSP)	ISO	Omin-Omax	G	L	H	D	V	CoG (ESP)	Weight	Price
												€
	kg	mm		mm	mm	mm	mm	mm	mm	mm	kg	
S 16 - KK 15-SV	1500	500	2	390-1590	1150	690	1000	48	147	180	470	11,380.-
				440-1700	1150	690	1000	48	147	180	470	11,490.-
				540-1890	1150	690	1000	48	147	180	470	11,600.-
S 16 - KK 15-SV	1500	500	2	390-1650	1200	690	1000	48	147	180	475	11,480.-
				440-1740	1200	690	1000	48	147	180	475	11,590.-
				540-1940	1200	690	1000	48	147	180	475	11,700.-
S 16 - KK 15-SV	1500	500	2	390-1490	1050	1200	1000	48	147	310	555	12,370.-
				440-1600	1050	1200	1000	48	147	310	555	12,480.-
				540-1800	1050	1200	1000	48	147	310	555	12,590.-
S 16 - KK 15-SV	1500	500	2	390-1550	1100	1200	1000	48	147	310	560	12,460.-
				440-1640	1100	1200	1000	48	147	310	560	12,570.-
				540-1840	1100	1200	1000	48	147	310	560	12,680.-
S 16 - KK 15-SV	1500	500	2	390-1590	1150	1200	1000	48	147	305	565	12,560.-
				440-1700	1150	1200	1000	48	147	305	565	12,670.-
				540-1890	1150	1200	1000	48	147	305	565	12,780.-
S 16 - KK 15-SV	1500	500	2	390-1650	1200	1200	1000	48	147	305	570	12,660.-
				440-1740	1200	1200	1000	48	147	305	570	12,770.-
				540-1940	1200	1200	1000	48	147	305	570	12,880.-

- Due to increased prestress towards the front of the arms the opening range between the tips is smaller.
- Surcharge for adjustable pressure relief valve incl. pressure gauge **€ 440.-**
- Further opening ranges on request.
- Further arm dimensions (L: 690 / 1,000 / 1,200 mm; H: 800 / 1,000 / 1,200 mm) on request.
- Available without sideshift valve
- Separate sideshift on request.
- For details on sideshift valve see page 9.

Appliance Clamps with Sideshift Valve

2 hydraulic functions



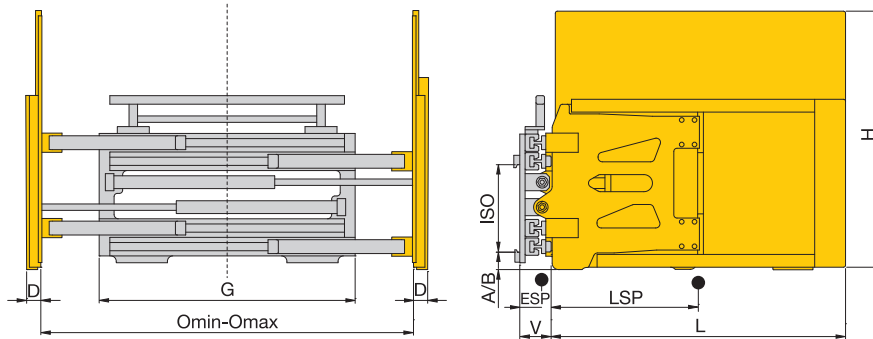
1 arm rigid · 1 arm single articulating

Model	Load capacity	LC (LSP)	ISO	Omin-Omax	G	L	H	D	V	CoG (ESP)	Weight	Price
	kg	mm		mm	mm	mm	mm	mm	mm	mm	kg	€
S 16 - GK 08-FE-SV	800	600	2	400-1400	950	1200	1000	47/66	147	400	680	14,180.-
				440-1500	950	1200	1000	47/66	147	400	680	14,220.-
				460-1520	950	1200	1000	47/66	147	400	680	14,240.-
S 16 - GK 08-FE-SV	800	600	2	400-1460	1000	1200	1000	47/66	147	395	685	14,290.-
				440-1540	1000	1200	1000	47/66	147	395	685	14,330.-
				500-1660	1000	1200	1000	47/66	147	395	685	14,380.-
S 16 - GK 08-FE-SV	800	600	2	400-1500	1050	1200	1000	47/66	147	395	690	14,310.-
				440-1600	1050	1200	1000	47/66	147	395	690	14,350.-
				460-1620	1050	1200	1000	47/66	147	395	690	14,410.-
S 16 - GK 15-FE-SV	1300	690	2	400-1460	1000	1380	1200	47/66	147	460	750	15,040.-
				440-1540	1000	1380	1200	47/66	147	460	750	15,070.-
				500-1660	1000	1380	1200	47/66	147	460	750	15,090.-
S 16 - GK 15-FE-SV	1300	690	2	400-1500	1050	1380	1200	47/66	147	460	755	15,080.-
				440-1600	1050	1380	1200	47/66	147	460	755	15,110.-
				460-1620	1050	1380	1200	47/66	147	460	755	15,130.-
				510-1740	1050	1380	1200	47/66	147	460	755	15,140.-
S 16 - GK 15-FE-SV	1300	690	2	400-1560	1100	1380	1200	47/66	147	455	760	15,100.-
				440-1640	1100	1380	1200	47/66	147	455	760	15,130.-
				500-1760	1100	1380	1200	47/66	147	455	760	15,160.-
S 16 - GK 15-FE-SV	1300	690	2	400-1630	1150	1380	1200	47/66	147	455	765	15,140.-
				440-1700	1150	1380	1200	47/66	147	455	765	15,170.-
				460-1740	1150	1380	1200	47/66	147	455	765	15,200.-
S 16 - GK 15-FE-SV	1300	690	2	400-1680	1200	1380	1200	47/66	147	450	770	15,170.-
				440-1740	1200	1380	1200	47/66	147	450	770	15,200.-
				460-1760	1200	1380	1200	47/66	147	450	770	15,230.-

S 16

Appliance Clamps with Sideshift Valve

2 hydraulic functions



1 arm rigid · 1 arm single articulating

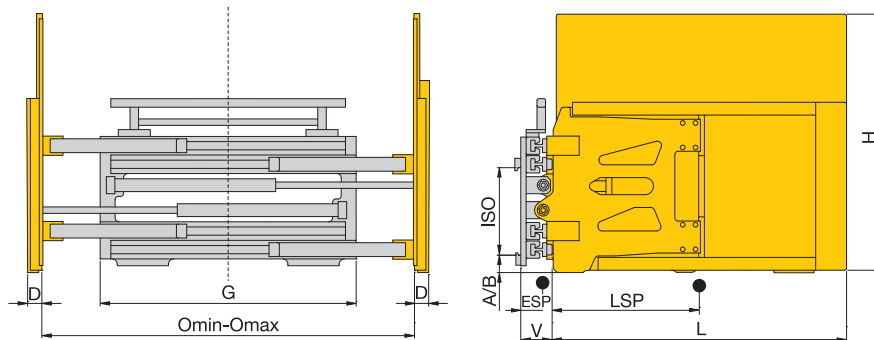
Model	Load capacity	LC (LSP)	ISO	Omin-Omax	G	L	H	D	V	CoG (ESP)	Weight	Price
	kg	mm		mm	mm	mm	mm	mm	mm	mm	kg	€
S 16 - GK 15-FE-SV	1300	690	2	500-2080	1400	1380	1200	47/66	147	405	870	15,840.-
				580-2230	1400	1380	1200	47/66	147	405	870	15,900.-
				650-2370	1400	1380	1200	47/66	147	405	870	15,950.-
S 16 - GK 15-FE-SV	1300	690	2	520-2170	1450	1380	1200	47/66	147	400	880	16,020.-
				580-2290	1450	1380	1200	47/66	147	400	880	16,060.-
				650-2420	1450	1380	1200	47/66	147	400	880	16,110.-
S 16 - GK 15-FE-SV	1300	690	2	500-2180	1500	1380	1200	47/66	147	400	885	16,350.-
				580-2340	1500	1380	1200	47/66	147	400	885	16,410.-
				650-2470	1500	1380	1200	47/66	147	400	885	16,450.-
S 16 - GK 15 FE-SV	1300	690	2	500-2220	1550	1380	1200	47/66	147	395	895	16,440.-
				580-2390	1550	1380	1200	47/66	147	395	895	16,480.-
				650-2530	1550	1380	1200	47/66	147	395	895	16,530.-

- Surcharge for adjustable pressure relief valve incl. pressure gauge **€ 440.-**
- Surcharge for multiple pressure relief valves see Accessories page 195
- Further opening ranges on request.
- Further arm dimensions (L: 1,200 / 1,380 mm; H: 1,000 / 1,200 mm) on request.
- Available without sideshift valve
- Separate sideshift on request.
- Details on sideshift valve, see page 9.

S16

Appliance Clamps with Sideshift Valve

2 hydraulic functions



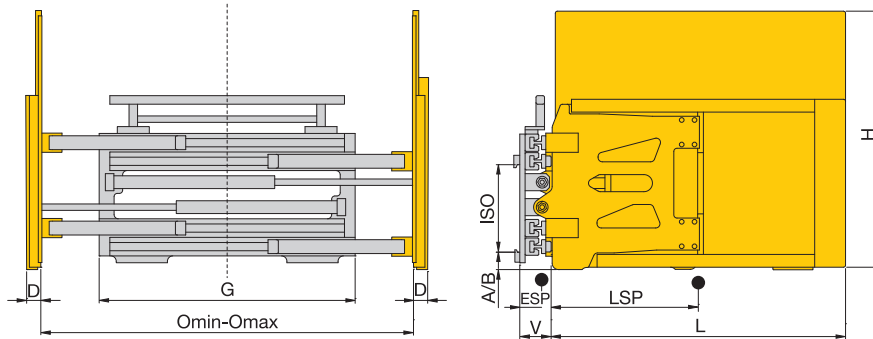
Both arms single articulating

Model	Load capacity	LC (LSP)	ISO	Omin-Omax	G	L	H	D	V	CoG (ESP)	Weight	Price
												kg
S 16 - GK 08-EE-SV	800	600	2	400-1400	950	1200	1000	66/66	147	390	660	15,250.-
				440-1500	950	1200	1000	66/66	147	390	660	15,280.-
				460-1520	950	1200	1000	66/66	147	390	660	15,310.-
S 16 - GK 08-EE-SV	800	600	2	400-1460	1000	1200	1000	66/66	147	390	665	15,360.-
				440-1540	1000	1200	1000	66/66	147	390	665	15,390.-
				500-1660	1000	1200	1000	66/66	147	390	665	15,440.-
S 16 - GK 08-EE-SV	800	600	2	400-1500	1050	1200	1000	66/66	147	385	670	15,400.-
				440-1600	1050	1200	1000	66/66	147	385	670	15,420.-
				460-1620	1050	1200	1000	66/66	147	385	670	15,460.-
S 16 - GK 15-EE-SV	1300	690	2	400-1460	1000	1380	1200	66/66	147	460	740	16,120.-
				440-1540	1000	1380	1200	66/66	147	460	740	16,150.-
				500-1660	1000	1380	1200	66/66	147	460	740	16,180.-
S 16 - GK 15-EE-SV	1300	690	2	400-1500	1050	1380	1200	66/66	147	460	745	16,160.-
				440-1600	1050	1380	1200	66/66	147	460	745	16,190.-
				460-1620	1050	1380	1200	66/66	147	460	745	16,220.-
				510-1740	1050	1380	1200	66/66	147	460	745	16,250.-
S 16 - GK 15-EE-SV	1300	690	2	400-1560	1100	1380	1200	66/66	147	455	750	16,200.-
				440-1640	1100	1380	1200	66/66	147	455	750	16,230.-
				500-1760	1100	1380	1200	66/66	147	455	750	16,260.-
S 16 - GK 15-EE-SV	1300	690	2	400-1630	1150	1380	1200	66/66	147	455	755	16,220.-
				440-1700	1150	1380	1200	66/66	147	455	755	16,260.-
				460-1740	1150	1380	1200	66/66	147	455	755	16,290.-
S 16 - GK 15-EE-SV	1300	690	2	400-1680	1200	1380	1200	66/66	147	450	760	16,260.-
				440-1740	1200	1380	1200	66/66	147	450	760	16,290.-
				460-1760	1200	1380	1200	66/66	147	450	760	16,320.-

S 16

Appliance Clamps with Sideshift Valve

2 hydraulic functions



Both arms single articulating

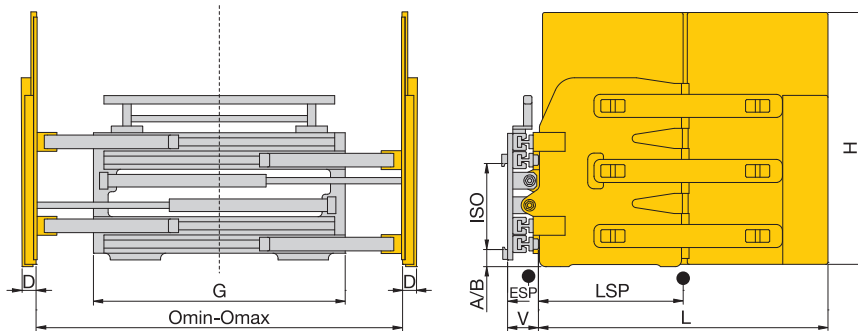
Model	Load capacity	LC (LSP)	ISO	Omin-Omax	G	L	H	D	V	CoG (ESP)	Weight	Price
	kg	mm		mm	mm	mm	mm	mm	mm	mm	kg	€
S 16 - GK 15-EE-SV	1300	690	2	500-2080	1400	1380	1200	66/66	147	405	860	16,880.-
				580-2230	1400	1380	1200	66/66	147	405	860	16,940.-
				650-2370	1400	1380	1200	66/66	147	405	860	16,990.-
S 16 - GK 15-EE-SV	1300	690	2	520-2170	1450	1380	1200	66/66	147	400	870	17,040.-
				580-2290	1450	1380	1200	66/66	147	400	870	17,090.-
				650-2420	1450	1380	1200	66/66	147	400	870	17,140.-
S 16 - GK 15-EE-SV	1300	690	2	500-2180	1500	1380	1200	66/66	147	400	875	17,350.-
				580-2340	1500	1380	1200	66/66	147	400	875	17,410.-
				650-2470	1500	1380	1200	66/66	147	400	875	17,470.-
S 16 - GK 15-EE-SV	1300	690	2	500-2220	1550	1380	1200	66/66	147	395	885	17,420.-
				580-2390	1550	1380	1200	66/66	147	395	885	17,480.-
				650-2530	1550	1380	1200	66/66	147	395	885	17,540.-

- Surcharge for adjustable pressure relief valve incl. pressure gauge **€ 440.-**
- Surcharge for multiple pressure relief valves see Accessories page 195
- Further opening ranges on request.
- Further arm dimensions (L: 1,200 / 1,380 mm; H: 1,000 / 1,200 mm) on request.
- Available without sideshift valve
- Separate sideshift on request.
- Details on sideshift valve, see page 9.

S16

Appliance Clamps with Sideshift Valve

2 hydraulic functions



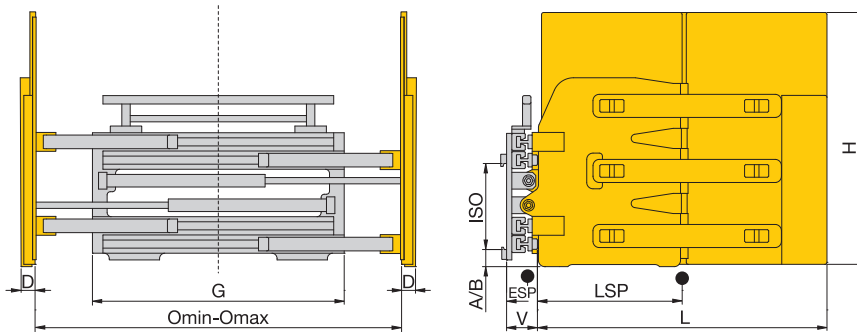
1 arm single articulating · 1 arm double articulating

Model	Load capacity	LC (LSP)	ISO	Omin-Omax	G	L	H	D	V	CoG (ESP)	Weight	Price
	kg	mm		mm	mm	mm	mm	mm	mm	mm	kg	€
S 16 - GK 08-ED-SV	800	600	2	400-1400	950	1200	1000	66/64	147	395	680	16,860.-
				440-1500	950	1200	1000	66/64	147	395	680	16,890.-
				460-1520	950	1200	1000	66/64	147	395	680	16,920.-
S 16 - GK 08-ED-SV	800	600	2	400-1460	1000	1200	1000	66/64	147	395	685	16,940.-
				440-1540	1000	1200	1000	66/64	147	395	685	16,980.-
				500-1660	1000	1200	1000	66/64	147	395	685	17,020.-
S 16 - GK 08-ED-SV	800	600	2	400-1500	1050	1200	1000	66/64	147	390	690	16,990.-
				440-1600	1050	1200	1000	66/64	147	390	690	17,030.-
				460-1620	1050	1200	1000	66/64	147	390	690	17,070.-
S 16 - GK 15-ED-SV	1300	690	2	400-1460	1000	1380	1200	66/64	147	465	760	17,730.-
				440-1540	1000	1380	1200	66/64	147	465	760	17,760.-
				500-1660	1000	1380	1200	66/64	147	465	760	17,790.-
S 16 - GK 15-ED-SV	1300	690	2	400-1500	1050	1380	1200	66/64	147	460	765	17,770.-
				440-1600	1050	1380	1200	66/64	147	460	765	17,790.-
				460-1620	1050	1380	1200	66/64	147	460	765	17,820.-
				510-1740	1050	1380	1200	66/64	147	460	765	17,850.-
S 16 - GK 15-ED-SV	1300	690	2	400-1560	1100	1380	1200	66/64	147	460	770	17,820.-
				440-1640	1100	1380	1200	66/64	147	460	770	17,850.-
				500-1760	1100	1380	1200	66/64	147	460	770	17,880.-
S 16 - GK 15-ED-SV	1300	690	2	400-1630	1150	1380	1200	66/64	147	455	775	17,850.-
				440-1700	1150	1380	1200	66/64	147	455	775	17,880.-
				460-1740	1150	1380	1200	66/64	147	455	775	17,910.-
S 16 - GK 15-ED-SV	1300	690	2	400-1680	1200	1380	1200	66/64	147	455	780	17,880.-
				440-1740	1200	1380	1200	66/64	147	455	780	17,910.-
				460-1760	1200	1380	1200	66/64	147	455	780	17,940.-

S 16

Appliance Clamps with Sideshift Valve

2 hydraulic functions



1 arm single articulating · 1 arm double articulating

Model	Load capacity	LC (LSP)	ISO	Omin-Omax	G	L	H	D	V	CoG (ESP)	Weight	Price
	kg	mm		mm	mm	mm	mm	mm	mm	mm	kg	€
S 16 - GK 15-ED-SV	1300	690	2	500-2080	1400	1380	1200	66/64	147	410	880	18,540.-
				580-2230	1400	1380	1200	66/64	147	410	880	18,600.-
				650-2370	1400	1380	1200	66/64	147	410	880	18,660.-
S 16 - GK 15-ED-SV	1300	690	2	520-2170	1450	1380	1200	66/64	147	405	890	18,700.-
				580-2290	1450	1380	1200	66/64	147	405	890	18,750.-
				650-2420	1450	1380	1200	66/64	147	405	890	18,800.-
S 16 - GK 15-ED-SV	1300	690	2	500-2180	1500	1380	1200	66/64	147	405	895	19,050.-
				580-2340	1500	1380	1200	66/64	147	405	895	19,100.-
				650-2470	1500	1380	1200	66/64	147	405	895	19,150.-
S 16 - GK 15-ED-SV	1300	690	2	500-2220	1550	1380	1200	66/64	147	400	905	19,110.-
				580-2390	1550	1380	1200	66/64	147	400	905	19,160.-
				650-2530	1550	1380	1200	66/64	147	400	905	19,210.-

- Surcharge for adjustable pressure relief valve incl. pressure gauge **€ 440.-**
- Surcharge for multiple pressure relief valves see Accessories page 195
- Further opening ranges on request.
- Further arm dimensions (L: 1,200 / 1,380 mm; H: 1,000 / 1,200 mm) on request.
- Available without sideshift valve
- Separate sideshift on request.
- Details on sideshift valve, see page 9.

S16

Carton Clamps S 16-KK



S16 Appliance Clamps S 16-GK

