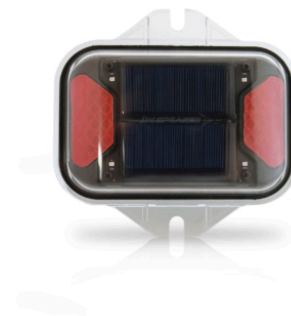


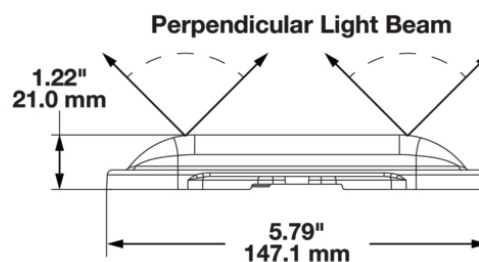
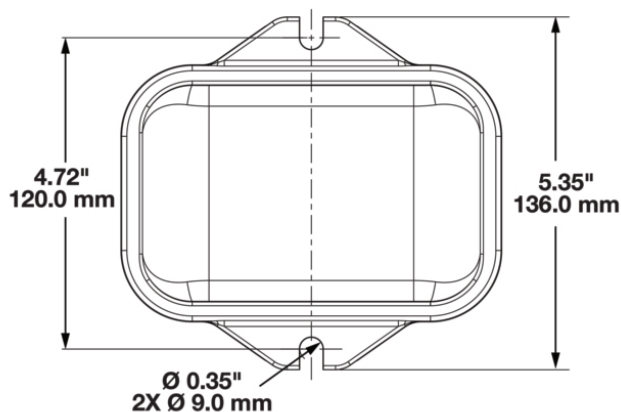
Model 210 - LED Solar Flasher & Warning Light

PRODUCT INFORMATION

Description	Model 210 - LED Solar Red Flasher and Warning Light
Height	136.00 mm / 5.35 in
Width	147.10 mm / 5.79 in
Depth	21.00 mm / 0.83 in
Shape	Rectangular
Outer Lens Material	Acrylic
Outer Lens Color	Clear
Housing Material	Polycarbonate
Housing Color	Black
Minimum Operating Temperature	-40 °C / -40 °F
Maximum Operating Temperature	65 °C / 149 °F
Connector or Wiring	NA
Mating Connector	NA
Product Weight	0.40 lbs / 0.18 kgs
Shipping Weight	0.50 lbs / 0.23 kgs



PRODUCT DIMENSIONS



Print date: 2020-12-03

© 2020 J.W. Speaker Corporation • Germantown, WI U.S.A.
www.jwspeaker.com • speaker@jwspeaker.com • 262.251.6660

Model 210 - LED Solar Flasher & Warning Light

ELECTRICAL SPECIFICATIONS

Battery Run Time	120 hours
Battery Recharge Time	6 hours

REGULATORY STANDARDS COMPLIANCE

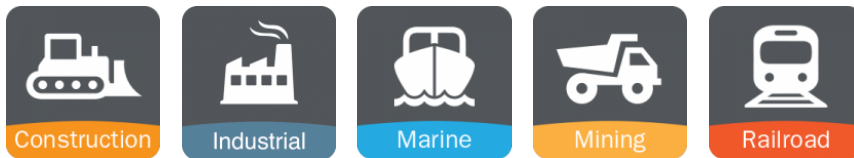


IEC IP69K

PHOTOMETRIC SPECIFICATIONS

Candela Output	10
Beam Pattern(s)	Warning - Flashing Warning

APPLICATIONS



PRODUCT WARNINGS

For California residents:

⚠ **WARNING:** Cancer and reproductive harm - www.P65Warnings.ca.gov.

⚠ **AVERTISSEMENT:** Cancer et effet nocif sur la reproduction - www.P65Warnings.ca.gov.

Print date: 2020-12-03

© 2020 J.W. Speaker Corporation • Germantown, WI U.S.A.
www.jwspeaker.com • speaker@jwspeaker.com • 262.251.6660

Model 210 - LED Solar Flasher & Warning Light

ACCESSORIES



Part Number
8200491

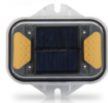
Mounting Kit For Work
Lights

RELATED PRODUCTS



Part Number
0647031

Model 210 - LED Solar
Amber Flasher and
Warning Light



Part Number
0647071

Model 210 - LED Solar
Amber Flasher and
Warning Light with
Mounting Kit



Part Number
0647081

Model 210 - LED Solar
Red Flasher and
Warning Light with
Mounting Kit