

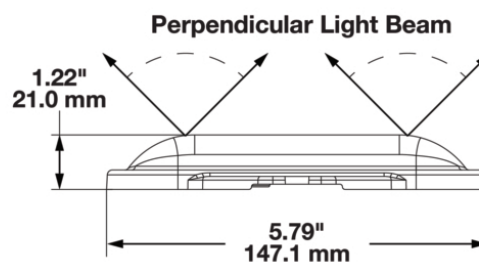
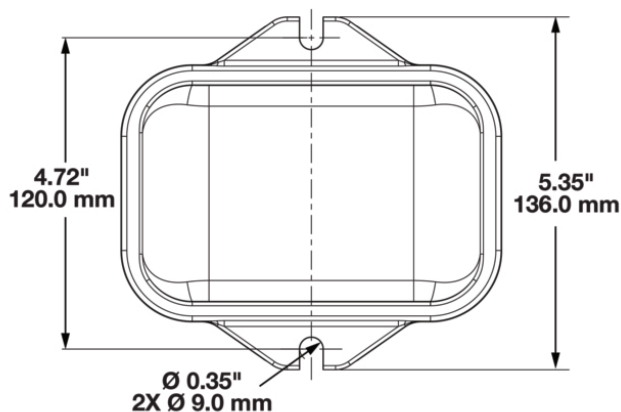
# Model 210 - LED Solar Flasher & Warning Light

## PRODUCT INFORMATION

<b>Description</b>	Model 210 - LED Solar Amber Flasher and Warning Light
<b>Height</b>	136.00 mm / 5.35 in
<b>Width</b>	147.10 mm / 5.79 in
<b>Depth</b>	21.00 mm / 0.83 in
<b>Shape</b>	Rectangular
<b>Outer Lens Material</b>	Acrylic
<b>Outer Lens Color</b>	Clear
<b>Housing Material</b>	Polycarbonate
<b>Housing Color</b>	Black
<b>Minimum Operating Temperature</b>	-40 °C / -40 °F
<b>Maximum Operating Temperature</b>	65 °C / 149 °F
<b>Connector or Wiring</b>	NA
<b>Mating Connector</b>	NA
<b>Product Weight</b>	0.40 lbs / 0.18 kgs
<b>Shipping Weight</b>	0.50 lbs / 0.23 kgs



## PRODUCT DIMENSIONS



Print date: 2020-12-03

© 2020 J.W. Speaker Corporation • Germantown, WI U.S.A.  
www.jwspeaker.com • speaker@jwspeaker.com • 262.251.6660

# Model 210 - LED Solar Flasher & Warning Light

## ELECTRICAL SPECIFICATIONS

---

<b>Battery Run Time</b>	120 hours
<b>Battery Recharge Time</b>	6 hours

## REGULATORY STANDARDS COMPLIANCE

---



IEC IP69K

## PHOTOMETRIC SPECIFICATIONS

---

<b>Candela Output</b>	11
<b>Beam Pattern(s)</b>	Warning - Flashing Warning

## APPLICATIONS

---



## PRODUCT WARNINGS

---

For California residents:

⚠ **WARNING:** Cancer and reproductive harm - [www.P65Warnings.ca.gov](http://www.P65Warnings.ca.gov).

⚠ **AVERTISSEMENT:** Cancer et effet nocif sur la reproduction - [www.P65Warnings.ca.gov](http://www.P65Warnings.ca.gov).

---

**Print date: 2020-12-03**

© 2020 J.W. Speaker Corporation • Germantown, WI U.S.A.  
www.jwspeaker.com • speaker@jwspeaker.com • 262.251.6660

# Model 210 - LED Solar Flasher & Warning Light

## ACCESSORIES

---



**Part Number**  
**8200491**

Mounting Kit For Work  
Lights

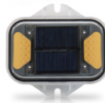
## RELATED PRODUCTS

---



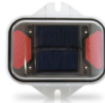
**Part Number**  
**0647041**

Model 210 - LED Solar  
Red Flasher and  
Warning Light



**Part Number**  
**0647071**

Model 210 - LED Solar  
Amber Flasher and  
Warning Light with  
Mounting Kit



**Part Number**  
**0647081**

Model 210 - LED Solar  
Red Flasher and  
Warning Light with  
Mounting Kit