

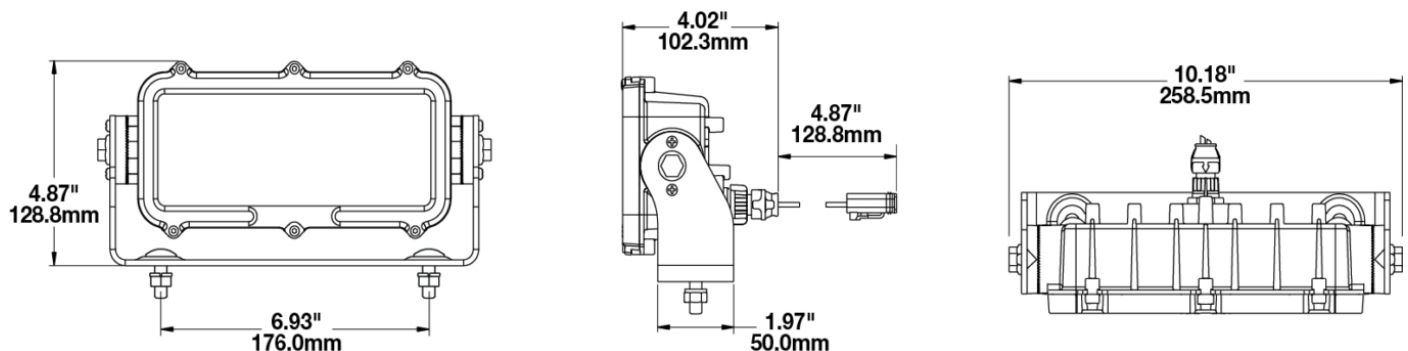
LED Safety Lights and Warning Lights - Model 527

PRODUCT INFORMATION

Description	12-24V LED Red & Green Signal Light
Height	123.70 mm / 4.87 in
Width	258.57 mm / 10.18 in
Depth	102.11 mm / 4.02 in
Shape	Rectangular
Outer Lens Material	Acrylic
Outer Lens Color	Diffused White
Housing Material	Xenoy
Housing Color	Black
Bezel Color	Black
Mounting Hardware Description	(x2) M8-1.28 Mounting Bolt
Mounting Type	Universal Pedestal Mount
Minimum Operating Temperature	-40 °C / -40 °F
Maximum Operating Temperature	65 °C / 149 °F
Connector or Wiring	ICONN IMATE 23 3-POS, MALE
Mating Connector	ICONN IMATE 23 3-POS, FEMALE
Shipping Weight	0.30 lbs / 0.14 kgs



PRODUCT DIMENSIONS



Print date: 2020-12-03

© 2020 J.W. Speaker Corporation • Germantown, WI U.S.A.
 www.jwspeaker.com • speaker@jwspeaker.com • 262.251.6660

LED Safety Lights and Warning Lights - Model 527

ELECTRICAL SPECIFICATIONS

Input Voltage	12-24V DC
Operating Voltage	10-32V DC
Transient Spike Protection	150V Peak @ 1 HZ-100 Pulses
Black Wire	Ground
Red Wire	Red
Green Wire	Green
Current Draw	0.90A @ 12V DC (Red) 1.20A @ 12V DC (Green) 0.50A @ 24V DC (Red) 0.70A @ 24V DC (Green)

REGULATORY STANDARDS COMPLIANCE



IEC IP69K

APPLICATIONS



Print date: 2020-12-03

© 2020 J.W. Speaker Corporation • Germantown, WI U.S.A.
www.jwspeaker.com • speaker@jwspeaker.com • 262.251.6660

J.W. SPEAKER
Engineered. Lighting. Solutions.

LED Safety Lights and Warning Lights - Model 527

PRODUCT WARNINGS

For California residents:

⚠ WARNING: Cancer and reproductive harm - www.P65Warnings.ca.gov.

⚠ AVERTISSEMENT: Cancer et effet nocif sur la reproduction - www.P65Warnings.ca.gov.

ACCESSORIES



Part Number

8200151

Rock Guard Kit for
Model 527

RELATED PRODUCTS



Part Number

0549271

12-24V LED Red Zone
Light



Part Number

0551261

12-24V LED White
Zone Light



Part Number

0551271

12-24V LED Green
Zone Light



Part Number

0551281

12-24V LED Amber
Zone Light



Part Number

0647021

12-24V LED Amber &
Green Signal Light