

# LED Strobe Lights - Model 406

## PRODUCT INFORMATION

<b>Description</b>	12-80V LED Amber Class II Strobe Light with DIN Pole Mount
<b>Height</b>	165.00 mm / 6.5 in
<b>Width</b>	122.75 mm / 4.83 in
<b>Depth</b>	122.75 mm / 4.83 in
<b>Shape</b>	Round
<b>Outer Lens Material</b>	Polycarbonate
<b>Outer Lens Color</b>	Amber
<b>Housing Material</b>	Polycarbonate / Nylon
<b>Housing Color</b>	Black
<b>Mounting Hardware Description</b>	(x4) #8-16 x 3/4 Screw
<b>Minimum Operating Temperature</b>	-40 °C / -40 °F
<b>Maximum Operating Temperature</b>	60 °C / 140 °F
<b>Connector or Wiring</b>	12" Leads
<b>Product Weight</b>	0.96 lbs / 0.44 kgs
<b>Shipping Weight</b>	1.32 lbs / 0.6 kgs
<b>Additional Information</b>	This is a kit that includes a Model 407 strobe light, DIN pole mount and hardware. DIN mount designed with (4) screw mounts to secure directly to strobe light housing.



Print date: 2020-12-03

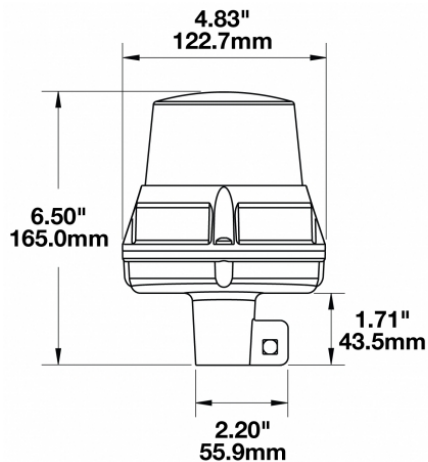
© 2020 J.W. Speaker Corporation • Germantown, WI U.S.A.  
 www.jwspeaker.com • speaker@jwspeaker.com • 262.251.6660

**J.W. SPEAKER**®  
 Engineered. Lighting. Solutions.

# LED Strobe Lights - Model 406

## PRODUCT DIMENSIONS

---



## ELECTRICAL SPECIFICATIONS

---

<b>Input Voltage</b>	12-80V DC
<b>Operating Voltage</b>	9-110V DC
<b>Red Wire</b>	Positive
<b>Black Wire</b>	Negative
<b>Yellow Wire</b>	Mode
<b>Current Draw</b>	0.345A @ 12V DC 0.225A @ 24V DC 0.163A @ 36V DC 0.131A @ 48V DC 0.100A @ 72V DC

---

Print date: 2020-12-03

© 2020 J.W. Speaker Corporation • Germantown, WI U.S.A.  
www.jwspeaker.com • speaker@jwspeaker.com • 262.251.6660

# LED Strobe Lights - Model 406

## REGULATORY STANDARDS COMPLIANCE



Buy America Standards	ECE Reg 10
Eco Friendly	IEC IP67
IEC IP69K	SAE J845
UL Recognized	

## PHOTOMETRIC SPECIFICATIONS

<b>Candela Output</b>	280
<b>Beam Pattern(s)</b>	Warning - Rotating Warning - Strobe
<b>Flash Rate 1</b>	Beacon
<b>Flash Rate 2</b>	Quadruple 480
<b>Flash Rate 3</b>	Fast 540
<b>Flash Rate 4</b>	Double 240
<b>Flash Rate 5</b>	Burst 300
<b>Flash Rate 6</b>	Steady Flash 60

## APPLICATIONS



Print date: 2020-12-03

© 2020 J.W. Speaker Corporation • Germantown, WI U.S.A.  
www.jwspeaker.com • speaker@jwspeaker.com • 262.251.6660



# LED Strobe Lights - Model 406

## PRODUCT WARNINGS

---

For California residents:

⚠ **WARNING:** Cancer and reproductive harm - [www.P65Warnings.ca.gov](http://www.P65Warnings.ca.gov).

⚠ **AVERTISSEMENT:** Cancer et effet nocif sur la reproduction - [www.P65Warnings.ca.gov](http://www.P65Warnings.ca.gov).

## ACCESSORIES

---



**Part Number**  
**0728301**

Pipe Mount with Fold-Down Bracket for DIN Pole Mount



**Part Number**  
**0728311**

Pipe Mount with L Bracket for DIN Pole Mount



**Part Number**  
**0728321**

Pipe Mount with Straight Bracket for DIN Pole Mount



**Part Number**  
**0728331**

Pipe Mount with Threaded Pipe Mount for DIN Pole Mount



**Part Number**  
**0728341**

Pipe Mount with Weld-on Bracket for DIN Pole Mount



**Part Number**  
**8200213**

DIN Pole Mount for 406 & 407 LED Strobe Lights

# LED Strobe Lights - Model 406

## RELATED PRODUCTS

---



**Part Number**  
**0646501**  
12-80V LED Amber  
Class II Strobe Light



**Part Number**  
**0646531**  
12-80V LED Blue Class  
II Strobe Light



**Part Number**  
**0646541**  
12-80V LED Red Class  
II Strobe Light



**Part Number**  
**0646881**  
12-80V LED Amber  
Class II Strobe Light  
with Magnet Mount &  
Adapter