

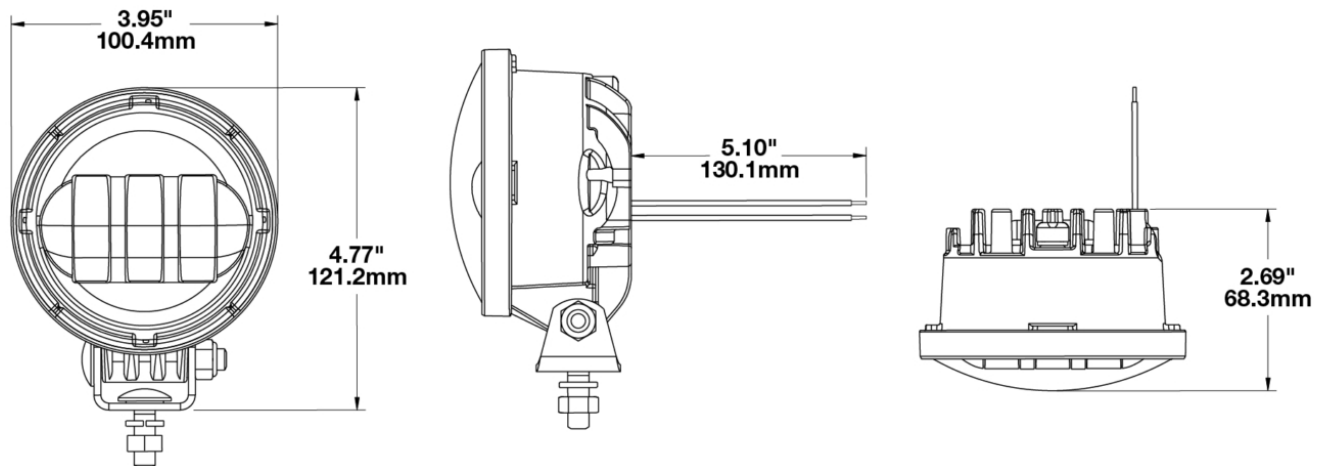
LED Safety Light - Model 6150

PRODUCT INFORMATION

Description	12-110V LED Red Zone Light
Height	121.23 mm / 4.77 in
Width	100.36 mm / 3.95 in
Depth	68.30 mm / 2.69 in
Shape	Round
Outer Lens Material	Hardcoated Polycarbonate
Outer Lens Color	Clear
Housing Material	Die-Cast Aluminum
Housing Color	Black
Bezel Color	Black
Mounting Hardware Description	(x1) M8-1.25 x .25 SS Mounting Bolt
Mounting Type	Universal Pedestal Mount
Product Weight	0.99 lbs / 0.45 kgs
Shipping Weight	1.80 lbs / 0.82 kgs



PRODUCT DIMENSIONS



Print date: 2020-08-13

© 2020 J.W. Speaker Corporation • Germantown, WI U.S.A.
www.jwspeaker.com • speaker@jwspeaker.com • 262.251.6660

J.W. SPEAKER®
 Engineered. Lighting. Solutions.

LED Safety Light - Model 6150

ELECTRICAL SPECIFICATIONS

Input Voltage	12-110V DC
Red Wire	Power
Black Wire	Ground
Current Draw	1.15A @ 12V DC 0.57A @ 24V DC 0.28A @ 48V DC 0.23A @ 60V DC 0.14A @ 110V DC

REGULATORY STANDARDS COMPLIANCE

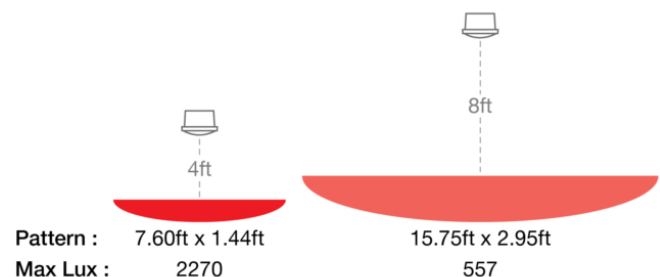


Buy America Standards
IEC IP67

Eco Friendly

PHOTOMETRIC SPECIFICATIONS

Effective Lumen Output	318
Candela Output	3,454
Beam Pattern(s)	Warning - Keep Out Zone



Print date: 2020-08-13

© 2020 J.W. Speaker Corporation • Germantown, WI U.S.A.
www.jwspeaker.com • speaker@jwspeaker.com • 262.251.6660

LED Safety Light - Model 6150

APPLICATIONS



PRODUCT WARNINGS

For California residents:

⚠ WARNING: Cancer and reproductive harm - www.P65Warnings.ca.gov.

⚠ AVERTISSEMENT: Cancer et effet nocif sur la reproduction - www.P65Warnings.ca.gov.

RELATED PRODUCTS



Part Number

0553561

12-110V Antiglare
Zone Light