

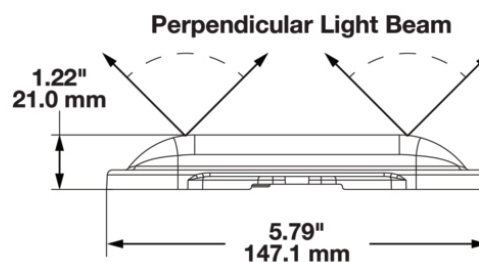
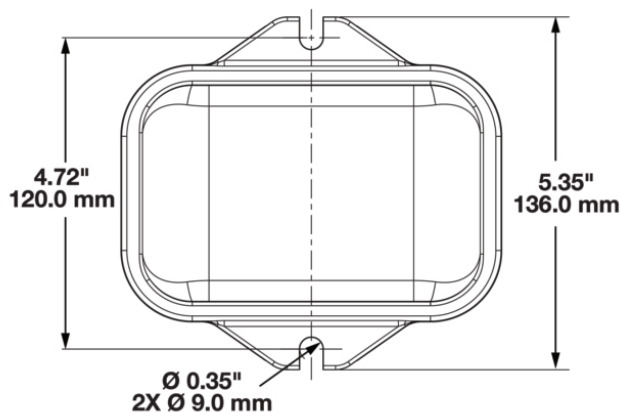
# Model 210 - LED Solar Flasher & Warning Light

## PRODUCT INFORMATION

|                                      |   |
|--------------------------------------|---|
| <b>Description</b>                   | Model 210 - LED Solar Amber Flasher and Warning Light |
| <b>Height</b>                        | 136.00 mm / 5.35 in                                   |
| <b>Width</b>                         | 147.10 mm / 5.79 in                                   |
| <b>Depth</b>                         | 21.00 mm / 0.83 in                                    |
| <b>Shape</b>                         | Rectangular   |
| <b>Outer Lens Material</b>           | Acrylic   |
| <b>Outer Lens Color</b>              | Clear   |
| <b>Housing Material</b>              | Polycarbonate   |
| <b>Housing Color</b>                 | Black   |
| <b>Minimum Operating Temperature</b> | -40 °C / -40 °F                                       |
| <b>Maximum Operating Temperature</b> | 65 °C / 149 °F  |
| <b>Connector or Wiring</b>           | NA  |
| <b>Mating Connector</b>              | NA  |
| <b>Product Weight</b>                | 0.40 lbs / 0.18 kgs                                   |
| <b>Shipping Weight</b>               | 0.50 lbs / 0.23 kgs                                   |



## PRODUCT DIMENSIONS



Print date: 2020-10-06

© 2020 J.W. Speaker Corporation • Germantown, WI U.S.A.  
www.jwspeaker.com • speaker@jwspeaker.com • 262.251.6660

**J.W. SPEAKER**  
Engineered. Lighting. Solutions.

# Model 210 - LED Solar Flasher & Warning Light

## ELECTRICAL SPECIFICATIONS

---

|                              |           |
|------------------------------|-----------|
| <b>Battery Run Time</b>      | 120 hours |
| <b>Battery Recharge Time</b> | 6 hours   |

## REGULATORY STANDARDS COMPLIANCE

---



IEC IP69K

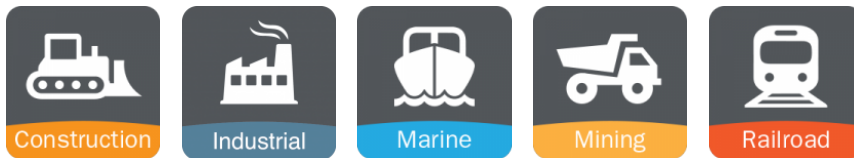
## PHOTOMETRIC SPECIFICATIONS

---

|                        |                            |
|------------------------|----------------------------|
| <b>Candela Output</b>  | 11                         |
| <b>Beam Pattern(s)</b> | Warning - Flashing Warning |

## APPLICATIONS

---



## PRODUCT WARNINGS

---

For California residents:

**⚠ WARNING:** Cancer and reproductive harm - [www.P65Warnings.ca.gov](http://www.P65Warnings.ca.gov).

**⚠ AVERTISSEMENT:** Cancer et effet nocif sur la reproduction - [www.P65Warnings.ca.gov](http://www.P65Warnings.ca.gov).

---

**Print date: 2020-10-06**

© 2020 J.W. Speaker Corporation • Germantown, WI U.S.A.  
www.jwspeaker.com • speaker@jwspeaker.com • 262.251.6660

# Model 210 - LED Solar Flasher & Warning Light

## ACCESSORIES

---



**Part Number**  
**8200491**

Mounting Kit For Work  
Lights

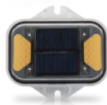
## RELATED PRODUCTS

---



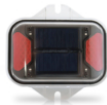
**Part Number**  
**0647041**

Model 210 - LED Solar  
Red Flasher and  
Warning Light



**Part Number**  
**0647071**

Model 210 - LED Solar  
Amber Flasher and  
Warning Light with  
Mounting Kit



**Part Number**  
**0647081**

Model 210 - LED Solar  
Red Flasher and  
Warning Light with  
Mounting Kit